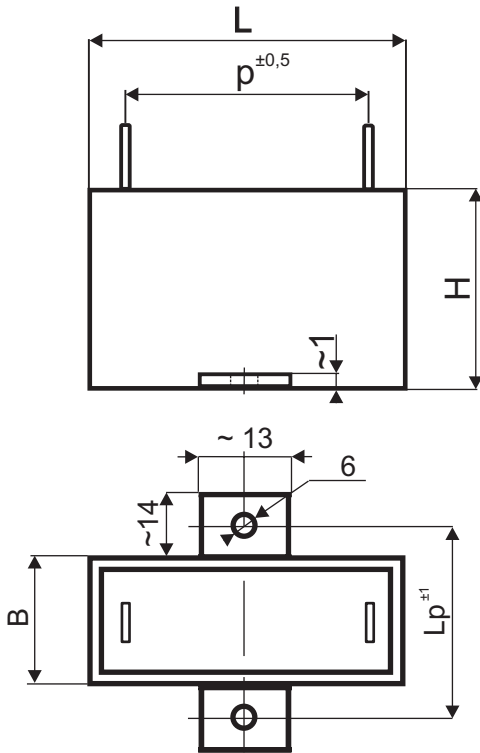


MKP Metallized Polypropylene Film Capacitors

MKP 364



Construction of capacitors:

Metallized polypropylene film capacitors noninductive constructions, radial plastic case, Self - healing ability, epoxy resin sealed. Flame retardant execution upon request also UL 94 V-0.

Leads: tinned copper wire or tab terminals or fastons

Reference standards: IEC 60384-1, IEC 60384-16

Approvals: IEC - CB - certificate CZ - 1162



Climatic resistivity category: dle IEC 60068-1 55/100/56

Temperature range: -55°C ÷ +100°C

Nominal capacitance: nominal capacitance values - see table.

Nominal capacitance tolerance:
 ± 20% (M), ± 10% (K), ± 5% (J), ± 2%, ± 1%
 or arbitrary tolerances on request

Dissipation Factor tgδ at +25°C ±5°C and 1 kHz: < 0,001

Insulation resistance Ris, Time const. tis

$$tis = Ris \cdot C \text{ [sec; M}\Omega; \mu\text{F]}$$

$$C > 0,33\mu\text{F } tis \text{ min. } 30\,000 \text{ sec.,}$$

Maximum pulse rise time dU/dt (V/μs) ≤ 10V/μsec

If the applied voltage U_{op} is less than U_R , the dU/dt value can be increased by the ratio U_R/U_{op}

Test voltage between terminations:

$$U_T = 1,6 \times U_R \text{ applied for } 2 \text{ s at } +25 \text{ }^\circ\text{C} \pm 5 \text{ }^\circ\text{C}$$

Category voltage:

$$\text{up to } +85^\circ\text{C } U_c = U_R$$

For temperature between +85°C and +100 °C a decreasing factor 0,25% per °C a the rated voltage U_R has to be applied.

Permissible AC working Voltage

400 V 50 Hz till +85°C on the surface of the capacitor

These capacitors replace the of date TESLA types TC 667, TC 669

Type	MKP 364
Nominal voltage $U_R = \text{DC/AC}$	1000 400*
Nominal capacitance C_R	Maximal dimensions $B \times H \times L \times p \times (L_p)$ (mm)
2 μF^{**}	27x 39 x 58 x 52,5 x 45
3	27 x 39 x 58 x 52,5 x 45
4	27 x 39 x 58 x 52,5 x 45
5	27 x 39 x 58 x 52,5 x 45
8	35 x 50 x 70 x 65 x 55
10	35 x 50 x 70 x 65 x 55

* this capacitors are not suitable for across the line applications!
 The manufacturer is not responsible for any damages,
 caused by the improper installation and application.

** jiné hodnoty kapacity po dohodě other values of capacity on request

If the customer do not specify the construction of case and leads, the manufacturer supply the type for printed circuits.