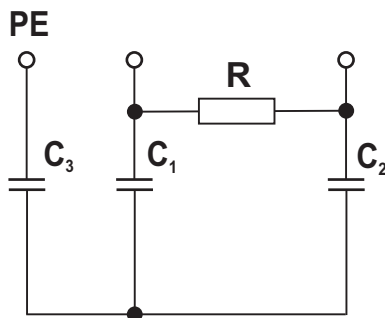
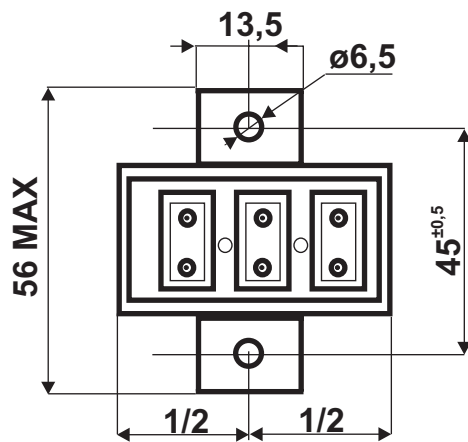
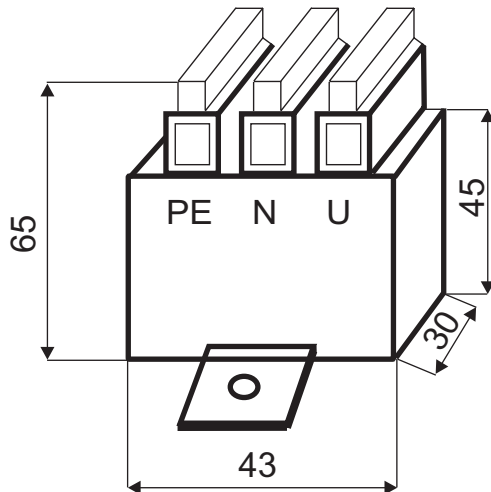


RC - PRVKY

RC - UNITS

43.0001.1019/500 VAC

Construction:



R-C units are designed for the applications in DC and AC electronic circuits for contact protection, radio interference suppression of a thyristor regulators and commutator - motors, for the protection of semiconductor switches as dU/dt suppression on thyristors, triacs and power transistors.

The R-C units are class X2, the used components are certified with international CB-certificate available CZ-1408

Construction:

The winding units of C and the resistors R are in prismatic box resin sealed.

The box has two metallic clips for the mounting.

Technical specification:

Type: customer specified

C: C₁, C₂, 0,25µF, class X2 winding units C 305,
 C₃ 5 nF Y2 winding units C 336

U_R: 500 V AC, 50/60 Hz

R: 0,47 MΩ 2W

Test voltage:

terminal - terminal: U, V, W 2000 VDC for 2 sec

all terminals to case (clip): 2000 V AC, 1 min.

Climatic category:

55/085/56

Reference standards:

IEC 60384-14/2. ed., EN 132 400

other construction available on request