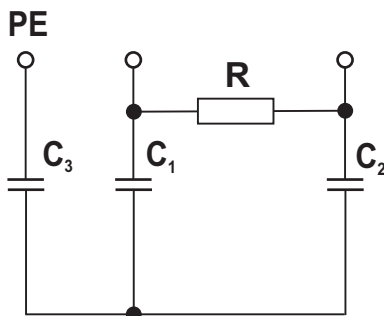
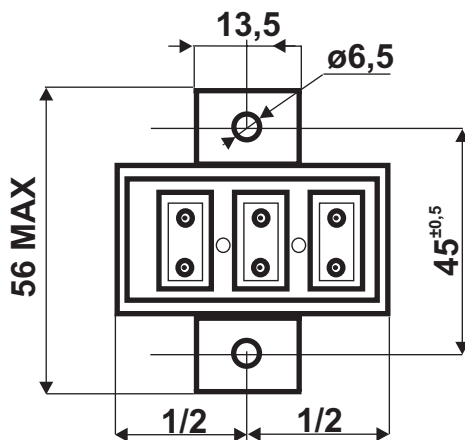
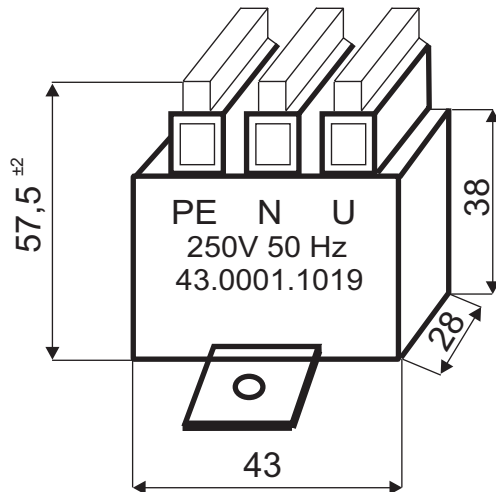


RC - PRVKY

RC - UNITS

43.0001.1019

Construction:



R-C units are designed for the applications in DC and AC electronic circuits for contact protection, radio interference suppression of a thyristor regulators and comutators - motors, for the protection of semiconductor switches as dU/dt suppression on thyristors, triacs and power transistors.

The R-C units are class X2, the used components are certified with international CB-certificate available CZ-972, 1.001552-00 (RC 209)

Construction:

The winding units of C and the resistors R are in prismatic box resin sealed. The box has two metallic clips for the mounting.

Technical specification:

Type: customer specified 43.0001.1019

C: C₁, C₂, 0,25µF, class X2 winding units C 303,
 C₃ 5 nF Y2 winding units C 333

U_R: 250 V AC, 50/60 Hz

R: 0,47 MΩ 2W

Test voltage:

terminal - terminal: U, V, W 2000 VDC for 2 sec
 all terminals to case (clip): 2000 V AC, 1 min.

Climatic category: IEC 60068-1
 55/085/56

Reference standards:

IEC 60384-14 2. ed., EN 132 400
 other construction available on request