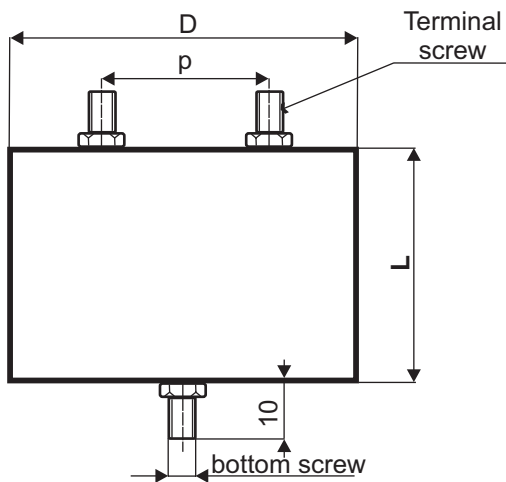


MKPI 300-101



Capacit. C_R (μF)	Dimension [mm]				
	D	L	p	Terminal screws	P_L [W]
2	55	50	30	M6	3,0
3	55	50	30	M6	3,0
4	55	50	30	M6	3,0
5	60	50	30	M6	3,5
6	75	50	40	M8	5,0
8	75	50	40	M8	5,0
10	85	50	40	M8	6,0
12	95	50	50	M8	7,0
15	105	50	50	M8	8,0
18	105	50	50	M8	8,0



Construction:

Dual metallized electrodes, polypropylene film dielectricum, non-inductive, self-healing construction. Plastic cylindrical flame retardant case, with bottom screw M8x10, or M10x12, or M12x15 available

Applications:

Snubber capacitors, pulse and other AC applications

Technical data

Rated voltage U_R : 1250V DC

Rated voltage is the max. DC or peak voltage, for which the capacitor is designed.

If the capacitor works with the DC and also super-imposed AC voltage U_{AC} , the sum of DC and the amplitude of AC must not exceed the U_R

Max permissible AC voltage: 450V 50/60Hz, If the working frequency is higher, the permissible AC voltage must be decreased, not to exceed the max. loss power of the capacitor.

$$\text{Max. } U_{AC(f)} = \sqrt{\frac{P_L}{2\pi f C_R \times \text{tg}\delta}}$$

Rated capacitance: 2 ÷ 18 μF

Tolerance: $\pm 10\%$, $\pm 5\%$

Dissipation factor $\text{Tg}\delta$: < 0,001 at 1 kHz and +25°C

Insulation resistance $R_{i,s}$: >30 000/C [M Ω]

Operating temperature range: -40 ÷ +85°C

The highest permissible capacitor temperature at the hottest point of the case must not exceed +85°C.

Max. permitted dissipation power of the capacitor P_L : depend on the construction of the capacitor and the cooling conditions, see table.

Test voltage between terminals: 1,25 × U_R , 1min. at +25°C

All capacitors are tested by the routine test by the manufacturer

Protection against Overvoltages:

The capacitors are self-healing and regenerate themselves after occasional breakdowns. The capacitor remains fully functional after the breakdown.

Permitted Overvoltages in working conditions:

1,10 × U_R max. 30% of the service period

1,15 × U_R max. 30min./day

1,20 × U_R max. 5min./day

1,25 × U_R max. 1min./day

If the Overvoltages exceed the permissible values above, the capacitor might have been destroyed.

Test voltage between terminals and case: 3000VDC, 1min. at +25°C

Max. repetitive rate of voltage rise dU/dt :

< 100V/ μsec at U_R and +25°C

Max. peak current I_p : < $C_R \times dU/dt$

Terminals: screws M6 or M8

Related standards: IEC 60384-1

Marking for purchase ordering: MKPI 300-101

Warning! The manufacturer is not responsible for any damages, caused by the improper installation and application. Before using the capacitor in any application, please, read carefully this technical data-sheet.