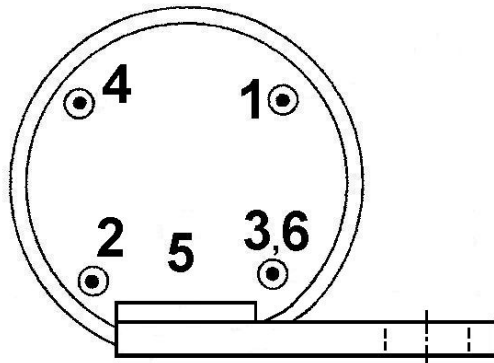
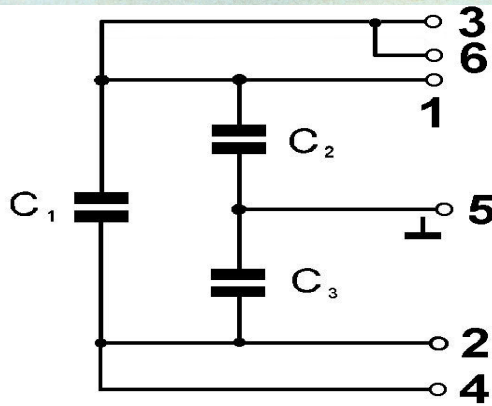




Radiointerference suppression capacitors C259MP



Cx+2xCy *	Dimensions ⁺¹ [mm]		
	D	L	Lv**
0,1uF + 2x2,4nF	20	36	see the drawing
0,2uF + 2x2,4nF	20	36	see the drawing

Construction:

The suppression-component consist of X capacitor and two Y capacitors. There are polypropylene film capacitors, noninductive type, self – healing, encapsuled in round plastic case, epoxy resin sealed, UL 94 V-0

The leads: insulated tined wire or insulated stranded wire.

Colour of leads: 1,3,6 black, 2,4 blue, 5-clamp

Other colour of leads on request

Reference standards:

IEC 60384-14/2, EN 132400

International certificate:

IECEE-CB certificate CZ-1408and CZ-738

CZ national certificate: EŠC

Rated voltage: 250 V50/60 Hz

Rated capacity X: 0,1÷0,22 uF

Other Capacity on request

Rated capacity Y: 2x2,4nF

Other Capacity on request

Tolerances: ±20% (M) ±10 % (K)

Class: X2Y2

Climatic category: 25/85/21

Temperature range: -25°C ÷ +85°C

Dielectric loss at 1 kHz: 0,001

Insulation resistance:

Ris > 10 000MΩ at 20°C,

Um= 100 VDC after 1 min charging

Test voltage between the leads:

the capacitors are tested in accordance to IEC 60384-14/2nd ed.

Test voltage between the connected leads and the surface of the box: 3000V/50Hz 1 min.

Marking for purchase ordering:

C259MP 0,2uF + 2x 2,4nF 250VAC

