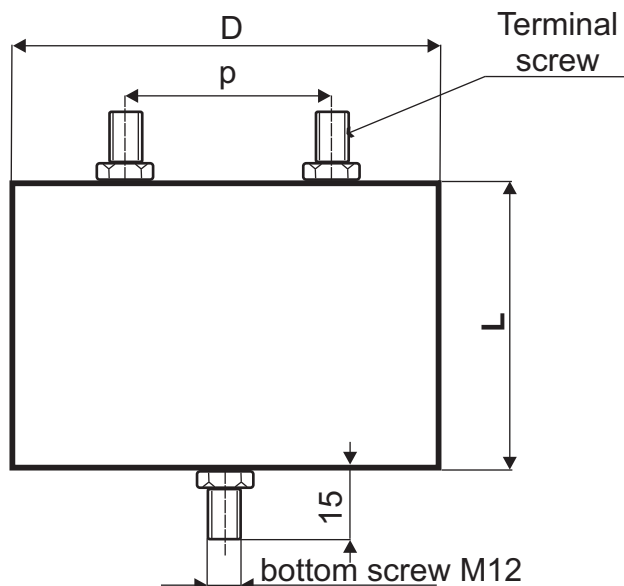


MKP Capacitors

MKP 300 - 122



Capacit. C_R (μF)	Dimension [mm]				
	D	L	p	Terminal screws	P_L [W]
40	60	140	30	M10	10
120	125	140	70	M10	10
400	160	130	100	M10	10

Construction:

Metallized polypropylene film, Non-inductive, self-healing construction. Plastic cylindrical flame retardant case, with bottom screw M12x15 available

Applications:

Filtering, smoothing, all other DC applications

Technical data:

Rated voltage U_R : 1200V DC

Rated voltage is the max. DC or peak voltage, for which the capacitor is designed.

If the capacitor works with the DC and also super-imposed AC voltage U_{AC} , the sum of DC and the amplitude of AC must not exceed the U_R

Max permissible AC voltage: 500V 50Hz,
If the working frequency is higher, the permissible AC voltage must be decreased, not to exceed the max. loss power of the capacitor.

$$\text{Max. } U_{AC(f)} = \sqrt{\frac{P_L}{2\pi f C_R \times \text{tg}\delta}}$$

Rated capacitance: 400 μF

Tolerance: 5%,

Dissipation factor T_g : < 0,01 at 100Hz and +25°C

Insulation resistance R_{IS} : >10 000/C [M Ω]

Operating temperature range: -40 \div +85°C

The highest permissible capacitor temperature at the hottest point of the case must not exceed +85°C.

Max. permitted dissipation power of the capacitor P_L :
depend on the construction of the capacitor and the cooling conditions.

Test voltage between terminals: 1,25 x U_R , 1min. at +25°C

All capacitors are tested by the routine test by the manufacturer

Protection against Overvoltages:

The capacitors are self-healing and regenerate themselves after occasional breakdowns. The capacitor remains fully functional after the breakdown.

Permitted Overvoltages in working conditions:

1,1 x U_R max. 30% of the service period

1,15x U_R max.30min./day

1,2 x U_R max. 5min./day

1,3 x U_R max. 1min./day

If the Overvoltages exceed the permissible values above, the capacitor might have been destroyed.

Test voltage between terminals and case:

3000VDC, 1min. at +25°C

Max. repetitive rate of voltage rise dU/dt:

< 10V/ μsec at U_R and +25°C

Max. peak current I_p : < $C_R \times dU/dt$

Related standards: IEC 60384-1

Marking for purchase ordering: MKP 300-122

Warning! The manufacturer is not responsible for any damages, caused by the improper installation and application. Before using the capacitor in any application, please, read carefully this technical data-sheet.