



MKP300-175 CAPACITORS FOR AC APPLICATIONS



Construction:

Metallized polypropylene film, no-inductive, self-healing construction, plastic cylindrical flame retardant case, with or without bottom screw available

Applications:

Motor run-capacitors and other AC applications

Technical data

Rated voltage U_R : 1500VAC 50/60Hz

If the working frequency is higher, the permissible AC voltage must be decreased

Rated capacitance: 0,36 \pm 4,0 μ F

Tolerance: \pm 10%, \pm 5%

Dissipation factor $Tg\delta$: < 0,001 at 100Hz and +25°C

Insulation resistance R_{is} : >10 000/C [M Ω ; μ F]

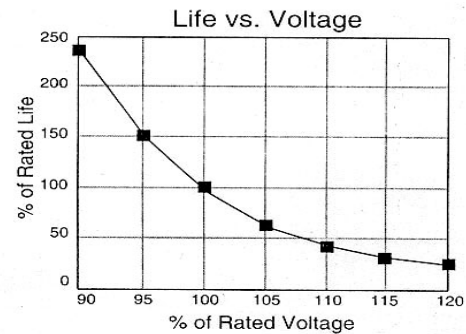
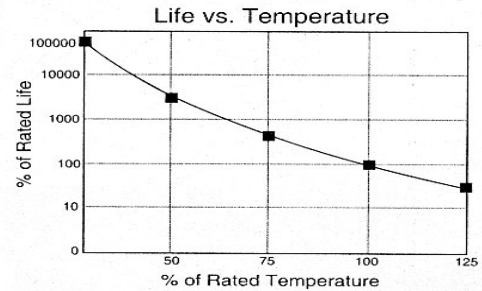
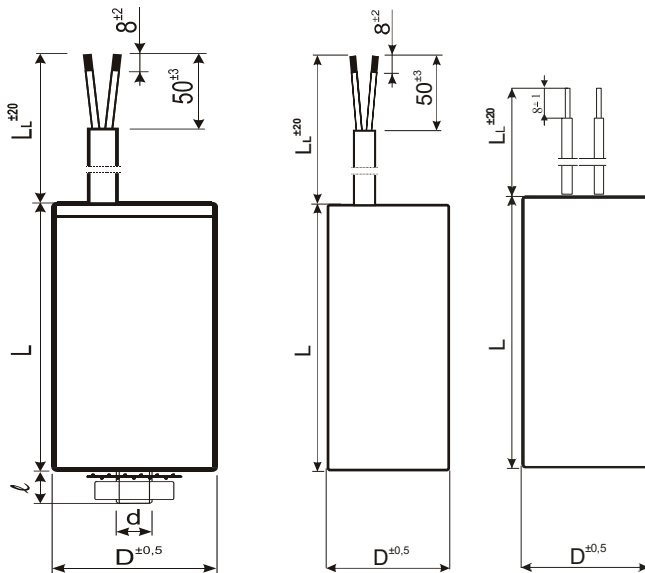
Operating temperature range: -40 \div +85°C

The highest permissible capacitor temperature at the hottest point of the case must not exceed +85°C.

Operating life expectancy: 10 000h/1500V 50Hz, at +25°C, Class B,

Test conditions 1,25 \times U_R at +85°C, 2000h

Life expectancy:



Capacity C_R [μ F]	Dimensions [mm]			
	D	L	L_L	Bottom Screw M8x10mm
0,36	25	55	140	-
0,47	30	55	140	-
0,5	30	55	140	-
0,56	30	55	140	-
0,68	30	68	200	-
0,8	35	54	100	-
1,0	30	94	160	-
1,0	30	94	220	-
1,0	30	94	300	yes
1,0	35	56,5	300	yes
1,2	40	69,5	400	yes
1,3	40	69,5	300	yes
1,5	40	69,5	400	yes
1,5	40	68	160	-
2,0	40	68	400	-
3,5	50	94	400	-
4,0	55	92	400	-

Other capacity and other L_L and Bottom screw on request

Test voltage between terminals: 1700VDC, 1min. at +25°C All capacitors are tested by the routine test by the producer

Protection against Over-voltages:

The capacitors are self-healing and regenerate themselves after occasional breakdowns. The capacitor remains fully functional after the breakdown.

Permitted Over-voltages in working conditions:

1,1 \times U_R max. 10% of the service period
If the Over-voltages exceed the permissible values above, the capacitor might have been destroyed.

Test voltage between terminals and case:

3000VDC, 1min. at +25°C

Max. repetitive rate of voltage rise dU/dt :

< 20V/ μ sec at U_R and +25°C

Related standards: IEC 60252-1

Warning! The manufacturer is not responsible for any damages, caused by the improper installation and application. Before using the capacitor in any application, please, read carefully this technical data-sheet.