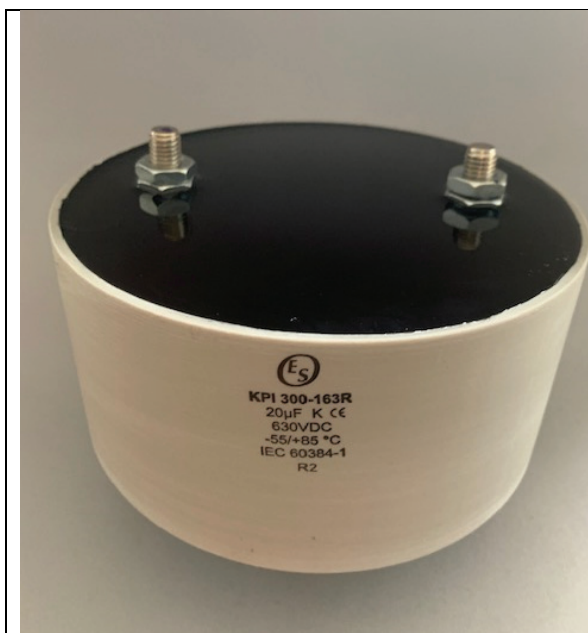


Capacitor for pulse applications KPI 300-163R



Construction:

The capacitors are made of Al foil and special metallized polypropylene film, self healing noninductive construction. Tubular case (UL 94 V-0) and epoxy resin sealed.

Terminals: screws M10 x 15

Bottom screw M10 x 20

Technical data:

Rated voltage U_R : 630V DC

Rated voltage is the max. DC or peak voltage, for which the capacitor is designed.

If the capacitor works with the DC and also super-imposed AC voltage U_{AC} , the sum of DC and the amplitude of AC must not exceed the U_R

Rated capacitance: 30 μ F, 20 μ F

Tolerance: $\pm 10\%$,

Dissipation factor $Tg\delta$: < 0,001 at +21°C

Insulation resistance R_{is} : 1000 M Ω

Climatic category: 55/085/56

Operating temperature range: -55 \div +85°C Max

The highest permissible capacitor temperature at the hottest point of the case must not exceed +85°C.

Test voltage between terminals:

800VDC, applied for 2 sec

Test voltage between terminals and case:

3000VDC, 1min. at +25°C

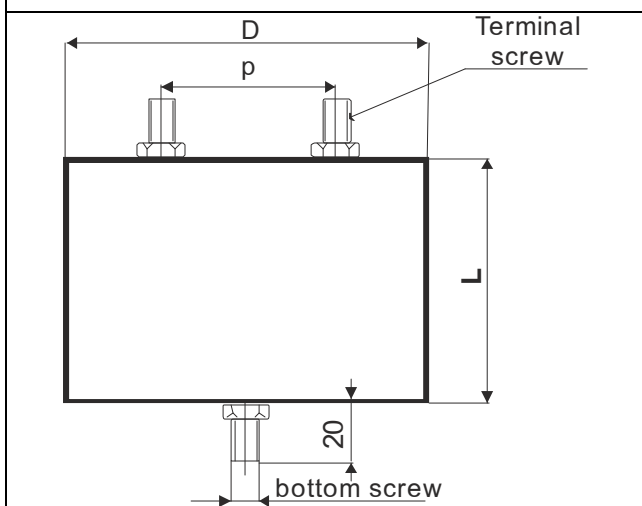
Pulse rise time: < 1000V/ μ sec

Related standards: IEC 60384-1

Marking for purchase ordering:

KPI 300-163 20 μ F $\pm 10\%$ 630V DC

C_R [μ F]	Rozměry Dimensions[mm]			Vývody Leads
	D	L	p	
20	160	75	100	M10
30	160	75	100	M10



Warning! The manufacturer is not responsible for any damages, caused by the improper installation and application. Before using the capacitor in any application, please, read carefully this technical data-sheet